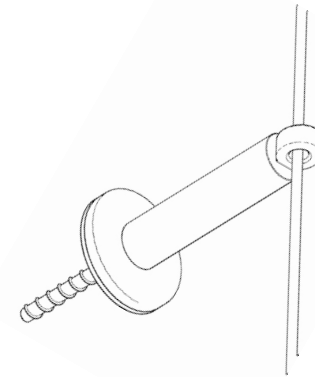
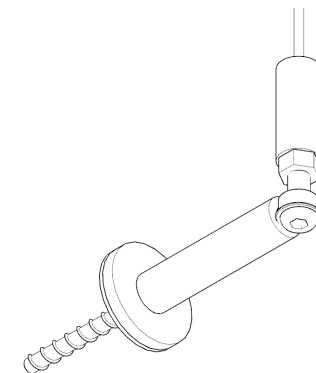


A: Top Pillar with Steel Shank Ball Fitted to Cable



B: Eye Support (Not supplied with 1 & 2 metre Vertical Trellis)



C: Tension Pillar (Bottom End)